



# Raspberry Pi Monitor

Published December 2024



The terms HDMI, HDMI High-Definition Multimedia Interface, and the HDMI Logo are trademarks or registered trademarks of HDMI Licensing Administrator, Inc.

## Overview



The Raspberry Pi Monitor is a 15.6-inch full HD computer display. User-friendly, versatile, compact and affordable, it is the perfect desktop display companion for both Raspberry Pi computers and other devices.

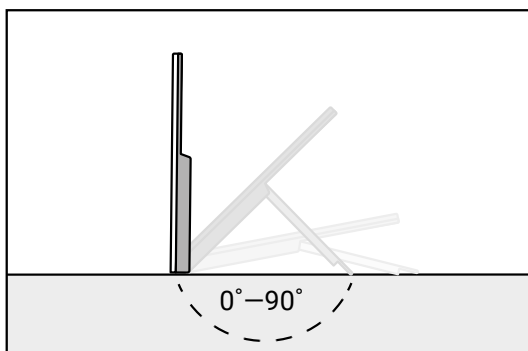
With built-in audio via two front-facing speakers, and VESA and screw mounting options as well as an integrated angle-adjustable stand, the Raspberry Pi Monitor is ideal for desktop use or for integration into projects and systems. It can be powered directly from a Raspberry Pi, or by a separate power supply.

## Specification

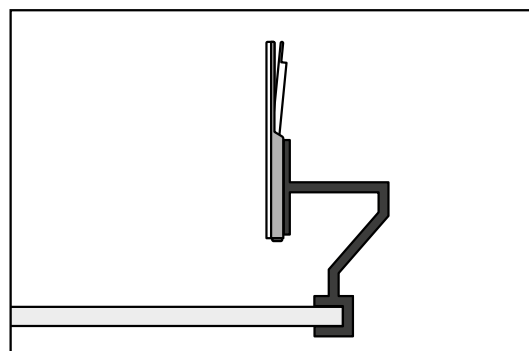
<b>Features:</b>	15.6-inch full HD 1080p IPS display Integrated angle-adjustable stand Built-in audio via two front-facing speakers Audio out via 3.5mm jack Full-size HDMI input VESA and screw mounting options Volume and brightness control buttons USB-C power cable
<b>Display:</b>	Screen size: 15.6 inches, 16:9 ratio Panel type: IPS LCD with anti-glare coating Display resolution: 1920 × 1080 Colour depth: 16.2M Brightness (typical): 250 nits
<b>Power:</b>	1.5A at 5V Can be powered directly from a Raspberry Pi USB port (max 60% brightness, 50% volume) or by a separate power supply (max 100% brightness, 100% volume)
<b>Connectivity:</b>	Standard HDMI port (1.4 compliant) 3.5mm stereo headphone jack USB-C (power in)
<b>Audio:</b>	2 × 1.2W integrated speakers Support for 44.1kHz, 48kHz, and 96kHz sample rates
<b>Production lifetime:</b>	The Raspberry Pi Monitor will remain in production until at least January 2034
<b>Compliance:</b>	For a full list of local and regional product approvals, please visit <a href="http://pip.raspberrypi.com">pip.raspberrypi.com</a>
<b>List price:</b>	<b>\$100</b>

## Quick start instructions

1. Remove the monitor and cable from the box
2. Please read the product information leaflet before using the monitor
3. Remove the monitor from its sleeve
4. Unclip the stand from the back of the monitor, and rotate it open to reveal the connectors
5. Plug in the power and HDMI cables
6. Place the monitor on a flat, stable surface, or mount it using the VESA or screw mount attachment points  
Suitable spacers (not supplied) must be used between the monitor and the VESA bracket; make sure you use spacers that are wide enough to allow sufficient space for the power and HDMI cables
7. Turn on the computer or power adapter; the monitor will power on



Using the monitor with the integrated angle-adjustable stan



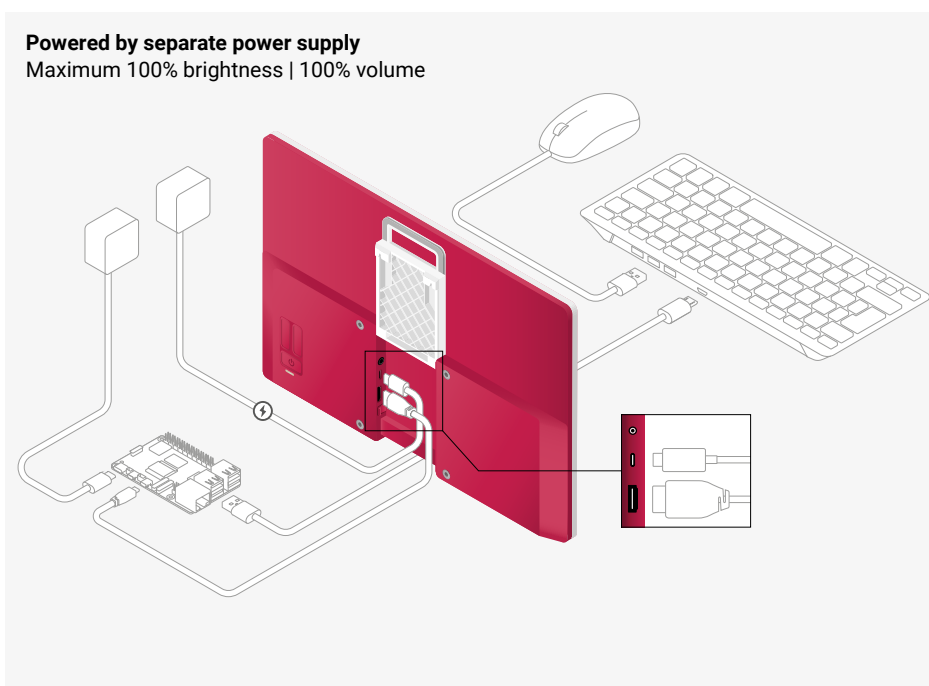
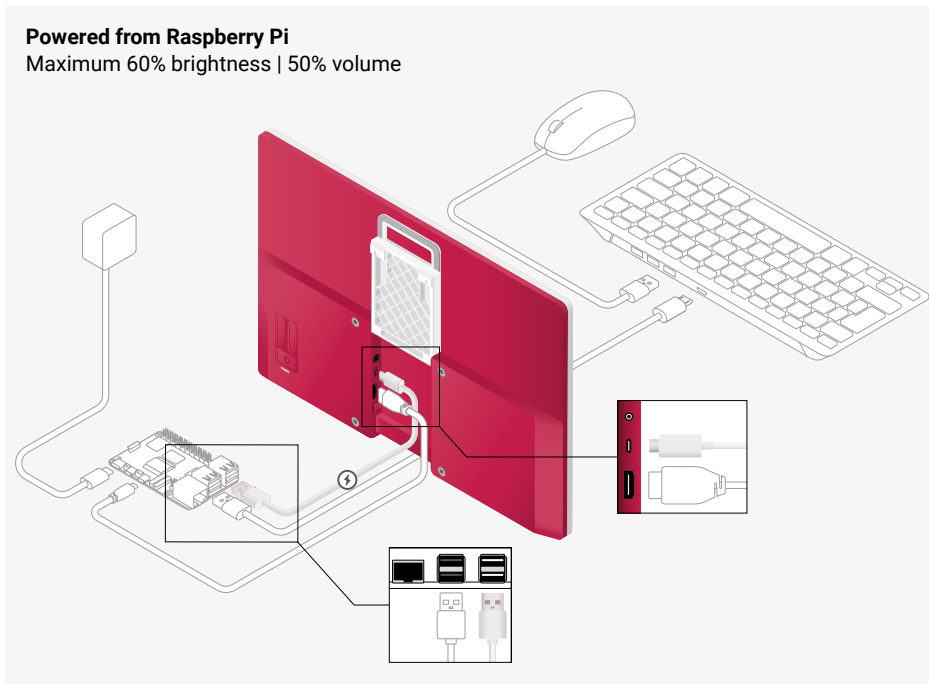
Using the monitor with a VESA mount

### **i** TIPS

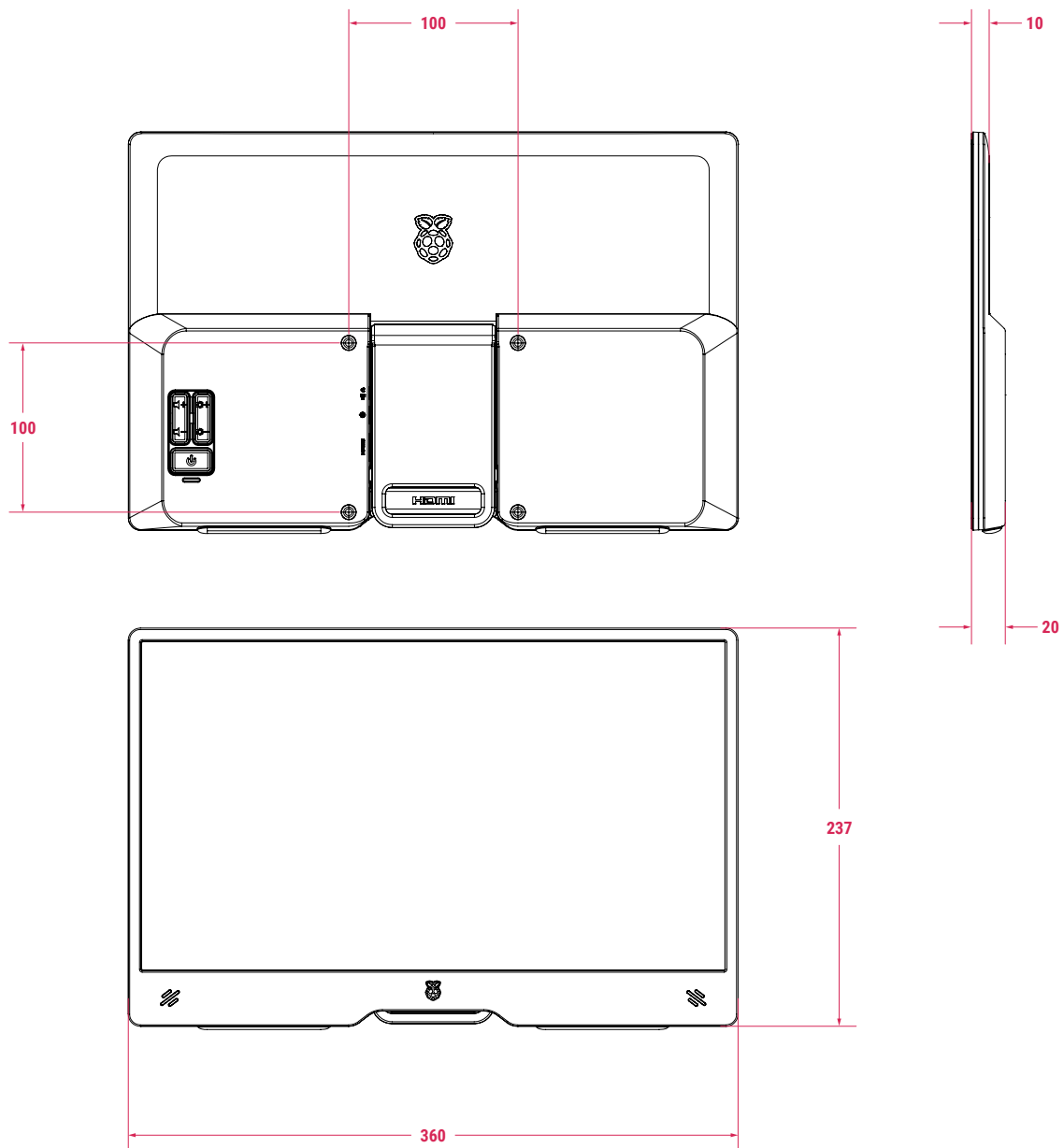
- Adjust volume and brightness with the control buttons on the back of the monitor
- Turn the monitor on and off with the power button on the back
- Find your preferred viewing angle by adjusting the integrated stand
- Tidy the cables using the notch at the base of the monitor

## Connecting your Raspberry Pi Monitor

Make sure you use the right power supply for your Raspberry Pi.  
Check which you need: [rptl.io/powersupplies](https://rptl.io/powersupplies)



## Physical specification



**Note:**

All dimensions in mm

All dimensions are approximate and for reference purposes only.  
The dimensions shown should not be used for producing  
production data

The dimensions are subject to part and manufacturing tolerances

Dimensions may be subject to change

## WARNINGS

- The monitor is intended for indoor desktop use only
- Never expose the monitor to rain or moisture; never spill liquids on the monitor
- Avoid dust, humidity, and temperature extremes
- Do not place objects on top of the monitor
- Do not subject the monitor to severe vibration or high impact
- Do not place the monitor on an unstable surface
- Do not knock or drop the monitor during operation or transportation; this is likely to cause damage to the product
- When mounting the monitor, it should be securely fastened so it does not fall
- Do not exert excessive force on the screen and surround; do not press the monitor screen with fingers or put objects on it
- Do not twist or distort the case in any way
- Do not transport the monitor in ways in which might exert force on the monitor without adequate protection
- Never push any object into the slots on the monitor case
- You may find slightly uneven brightness on the screen in different conditions
- Do not remove the cover or attempt to service this unit yourself; an authorised technician should perform servicing of any nature
- This product is in compliance with the relevant regulations and directives imposed by the countries into which it is sold. The compliance of the product has been established through testing using appropriate industry standards and quality management procedures.

The product is considered a Class B unintentional radiator and complies with Part 15 of FCC Rules. Operation is subject to the following two conditions:

(1) This device may not cause harmful interference, and (2) This device must accept any interference received including interference that may cause undesired operation. In a domestic environment this product may cause radio interference in which case the user may be required to take adequate measures.

## SAFETY INSTRUCTIONS

**To avoid malfunction or damage to this product, please observe the following:**

- Do not expose to water or moisture
- Do not expose to heat from any external source; the Raspberry Pi Monitor is designed for reliable operation at normal ambient temperatures
- Take care whilst handling to avoid mechanical or electrical damage to the product
- Always turn off the monitor and unplug cables before cleaning
- Do not spray liquids directly onto any parts of the product or use strong chemical products to clean it
- A soft cloth can be used to wipe the screen and other parts of the monitor







Raspberry Pi is a trademark of Raspberry Pi Ltd

---